

nexa**key**



UHF20 Pro and **UHF10 Pro** are NEXAKEY'S third-generation UHF readers, with much stable performance, longer reading distance and faster recognition speed. The UHF reader equipped with the passive UHF card function, which could be widely used in Vehicle Management and Personnel Management applications. The product also meets CE, FCC technology requirements.



Long distance fixed vehicle access management



Long distance pedestrian access management

FEATURES

- Support two working modes: Trigger to Read & Always Read (Default)
- Support different wiegand data output (Wiegand 26 by default)
- LED the bottom of readers indicating the reading status

Green indicator



Red indicator



- Multiple communication modes, supporting Wiegand and RS485
- Protection level of IP66

Specifications

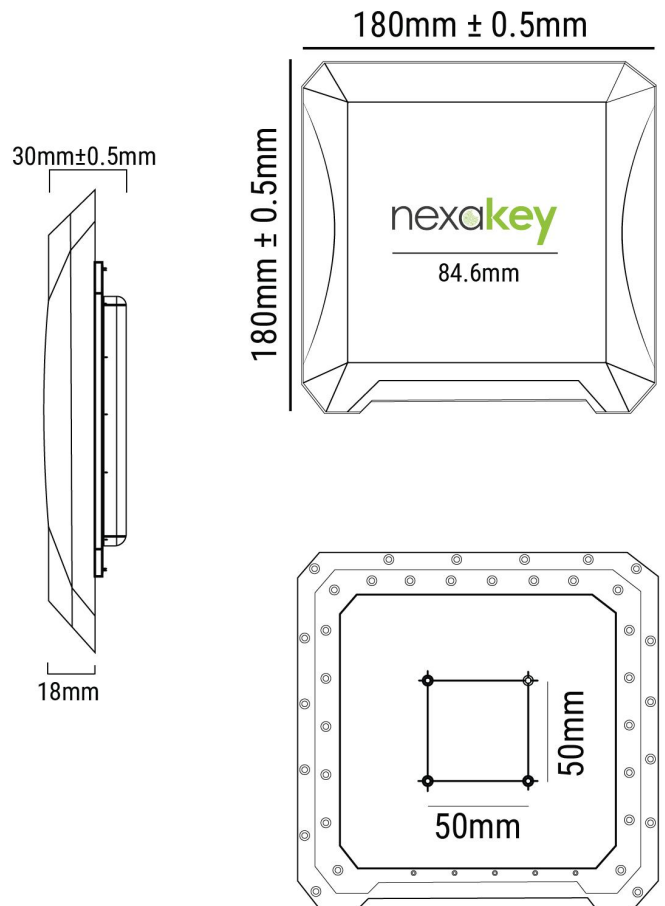
Model	UHF10 Pro	UHF20 Pro
Reading Distance	6 - 40 Meter	6 - 40 Meter
Antenna Gain	8 -12 dBi	8 -12 dBi
Dimensions	180mm * 180mm * 30mm	180mm * 180mm * 30mm
Weight	1.2 kg	1.2 kg
Power	<1W	<1W
Frequency	865 - 868 MHz	902 - 928 MHz
Communication Interface	Standard RS232 / RS485,Wiegand 26/34 (Optional TCP/IP,WIFI,GPRS)	
Interface Protocol	ISO18000-6B, ISO18000-6C (EPC GEN2) Protocol electronic label	
Working Mode	Automatic Mode, Trigger Mode, Interactive Mode	
Output Power	0-30 dBm (Power Software Adjustable)	
Protection Level	IP66	
Working Voltage	12V	
Working Temperature and Humidity	-20°C~+70°C , <85%	
Storage Temperature and Humidity	-20°C -80°C , <85%	
RS485 Communication	Optional baud rate (9600,19200,38400,57600,115200);The default is 115200	
Recognition prompt	Beep or LED Flash	

Note



Special note: UHF reader cannot penetrate V-KOOL, 3M, or other premium solar films that contain heavy metal to read cards from inside the car.

Dimensions



Wiring Diagram

