



Alarm Security Kit

Smarter security || Better control



Real-Time
Mobile Alerts



24-Hour
backup
battery



Low battery
remind



Optional
cellular backup



PIR&Door
sensor
detection



Disalarm &
Alarm with
one key



Brief Introduction

The NGTECO alarm security kit Command smart home security keypad not only provides real protection for the things you value most, but also really smart, really simple integration and control of your smart security and home automation devices.

Features



Instant Alerts

Receive notifications when any of your alarm sensors are triggered



24-Hour backup battery

Keep your home safe and secure even if the power goes out



Low battery remind

Remind your update the battery in time



Optional cellular backup

4)Continue monitoring your home in the event your system goes offline



PIR&Door sensor detection

Keep you door&windows opened out of accidently



Disalarm&Alarm with one key

you can set the time for disalarm or alarm automation

Specifications

Model	NG-A100
Package	1*Alarm Panel,1*PIR Detector, 1*A pair of Door Magnetic,2*Remote Control

Material	ABS
Pair Count	24 wireless detectors,10 remote control

Electrical Ratings

Input / Output	DC 5V / 1A
Backup Battery	Lithium Battery 7.4v
Rechargeable Time	4Hours
Standby Time	5Hours

Standby Current	≤ 75 mA
Alarm Current	≤ 150 mA
Alarm Loudness	100DB
Alarm Time	60s

Network

GSM Protocol	850/900/1800/1900MHZ
Wireless Protocol	802.11 b/g/n 2.4GHz Wi-Fi

RF Received Frequency	433MHz (±75MHz)
-----------------------	-----------------

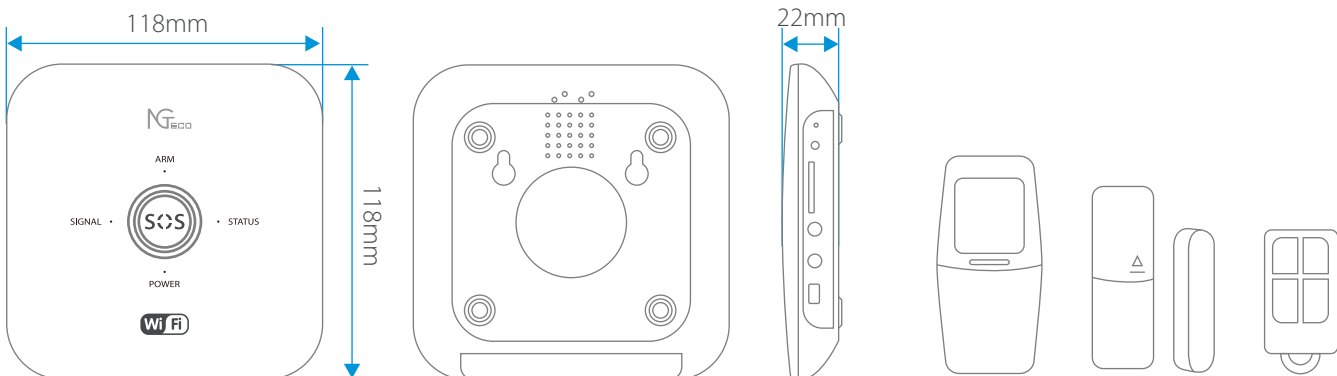
General

Dimensions	118*118*22 mm
Net Weight	
Gross Weight	

Operating Temperature	-10°C to 50°C
Operating Humidity	10%~80% RH (non-condensing)
Certifications	CE, RoHS

PIR Detector		Door Magnetic		Remote Control	
Detection angle	110°	Wireless distance	150m	Wireless distance	150m
Detection Distance	10m	Working distance	≥15mm	Power	CR206 (button battery)
Power	3V(2 * AA battery)	Power	12V 23A (alkaline battery)	Emitting frequency	433MHz
Emitting distance	150m	Emitting frequency	433MHz	Programme code	1527
Emitting frequency	433MHz	Programme code	1527	Environment Humidity	≤95%
Programme code	1527	Environment Humidity	≤95%	Material	ABS
Environment Humidity	≤95%RH (No congelation)	Material	ABS		
Material	ABS				

Dimensions



NGTECO E-COMMERCE CO., LIMITED

www.ngteco.com

service.ng@ngteco.com

V1.0 2020.06.12

Copyright © 2020 NGTECO E-COMMERCE CO., LIMITED. All rights reserved.